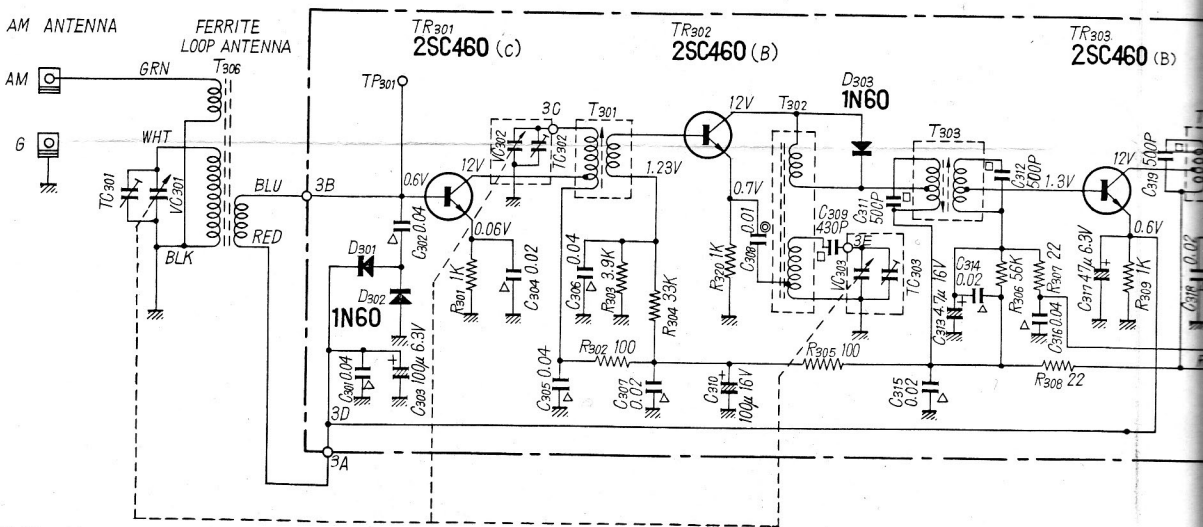
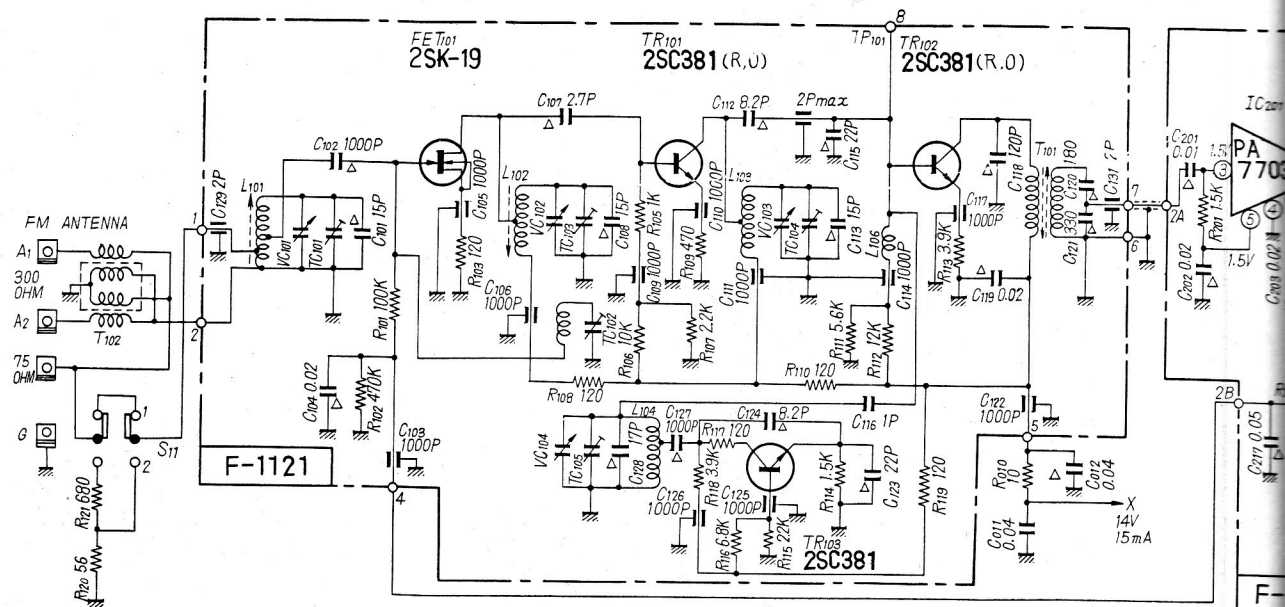
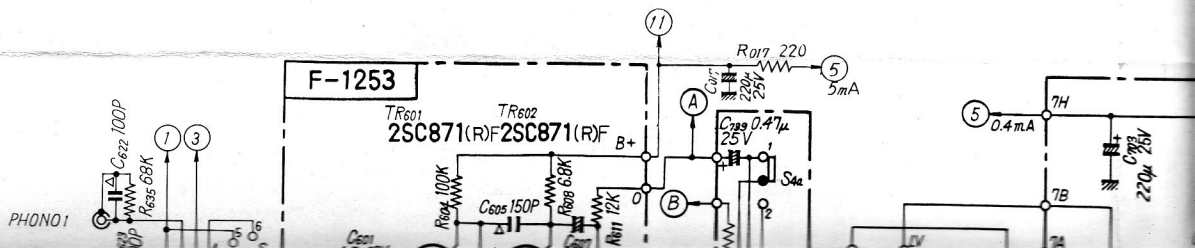
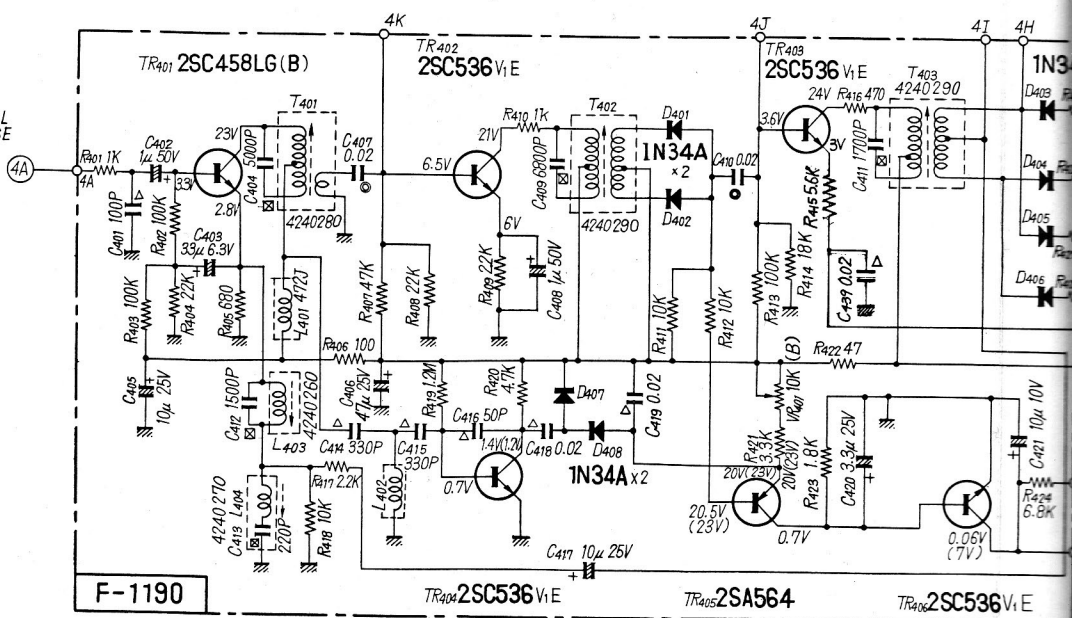


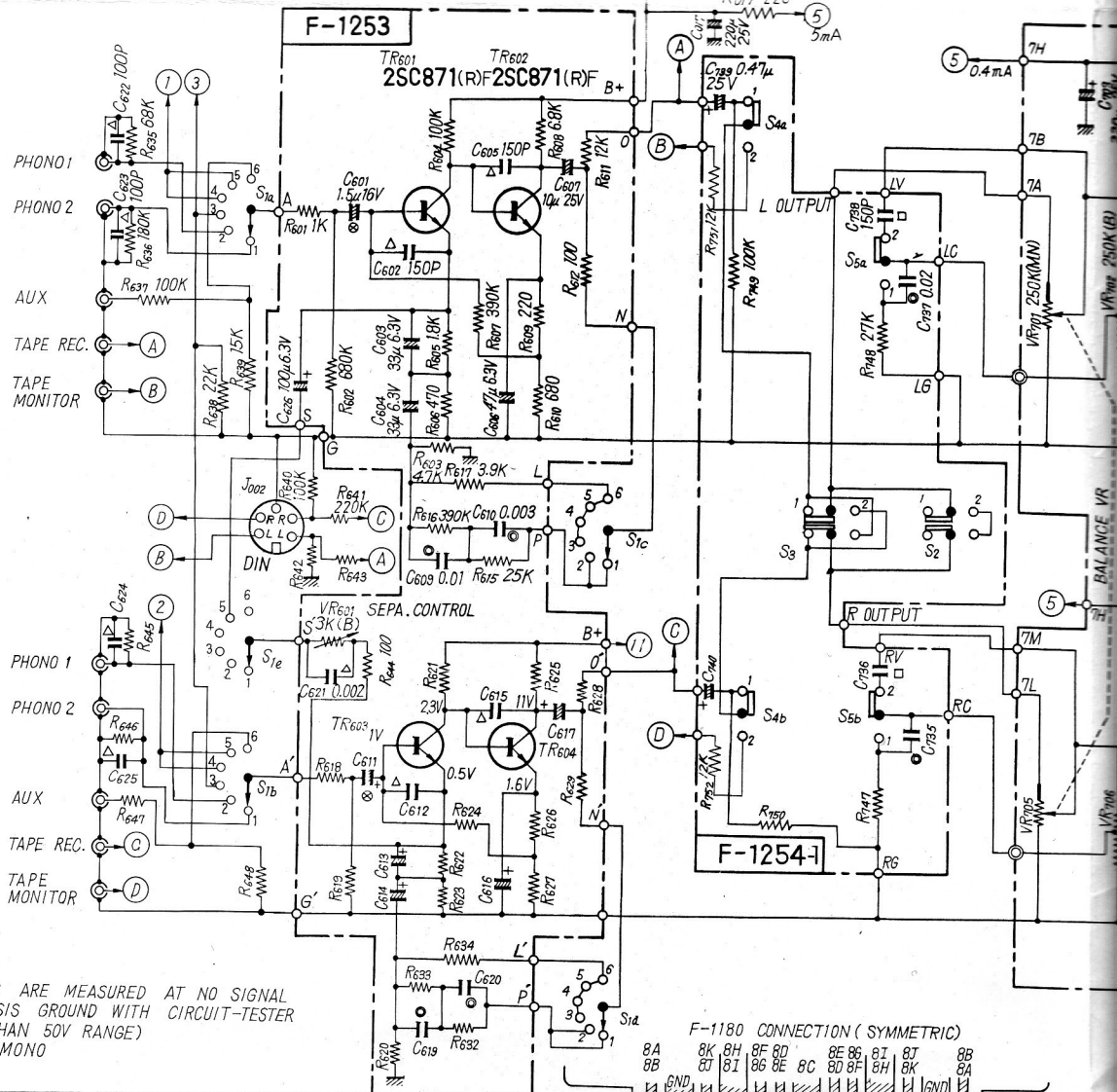
SCHEMATIC DIAGRAM



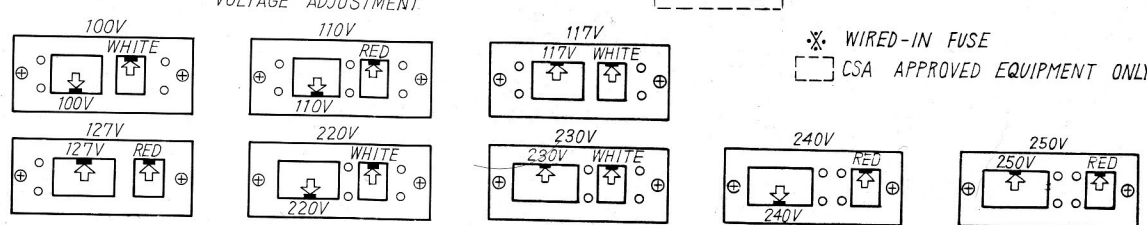
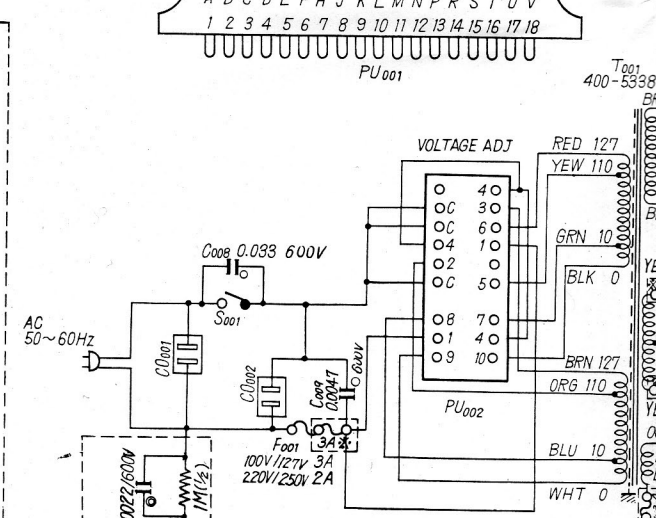
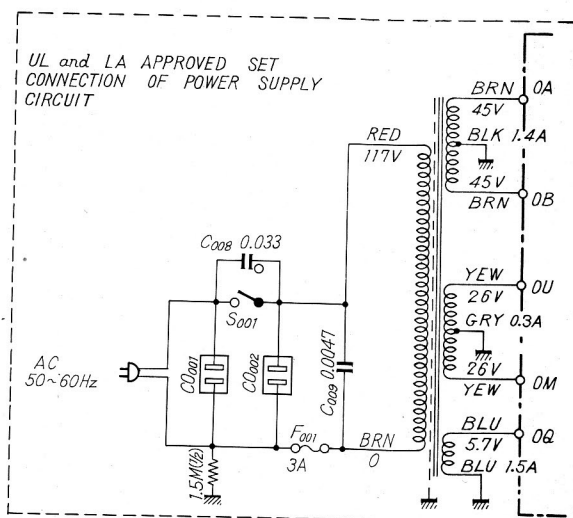
- SELECTOR (S1a~i)
1. PHONO1
2. PHONO2
3. AM MONO
4. FM MONO
5. FM AUTO
6. AUX
- MODE
S21. STEREO S3 1. NORMAL 2. REVERSE
2. MONO
- TAPE MONITOR (S4)
1. OFF
2. ON
- LOUDNESS (S5)
1. OFF
2. ON
- MUTING (S6)
1. ON
2. OFF
- NOISE CANCELER (S7)
1. OFF
2. ON
- HIGH FILTER (S8)
1. OFF
2. ON
- LOW FILTER (S9)
1. OFF
2. ON
- SPEAKER SELECTOR (S10)
1. OFF
2. SYSTEM A
3. " B
4. " A+B
- ANTENNA (S11)
1. LOCAL
2. DISTANT



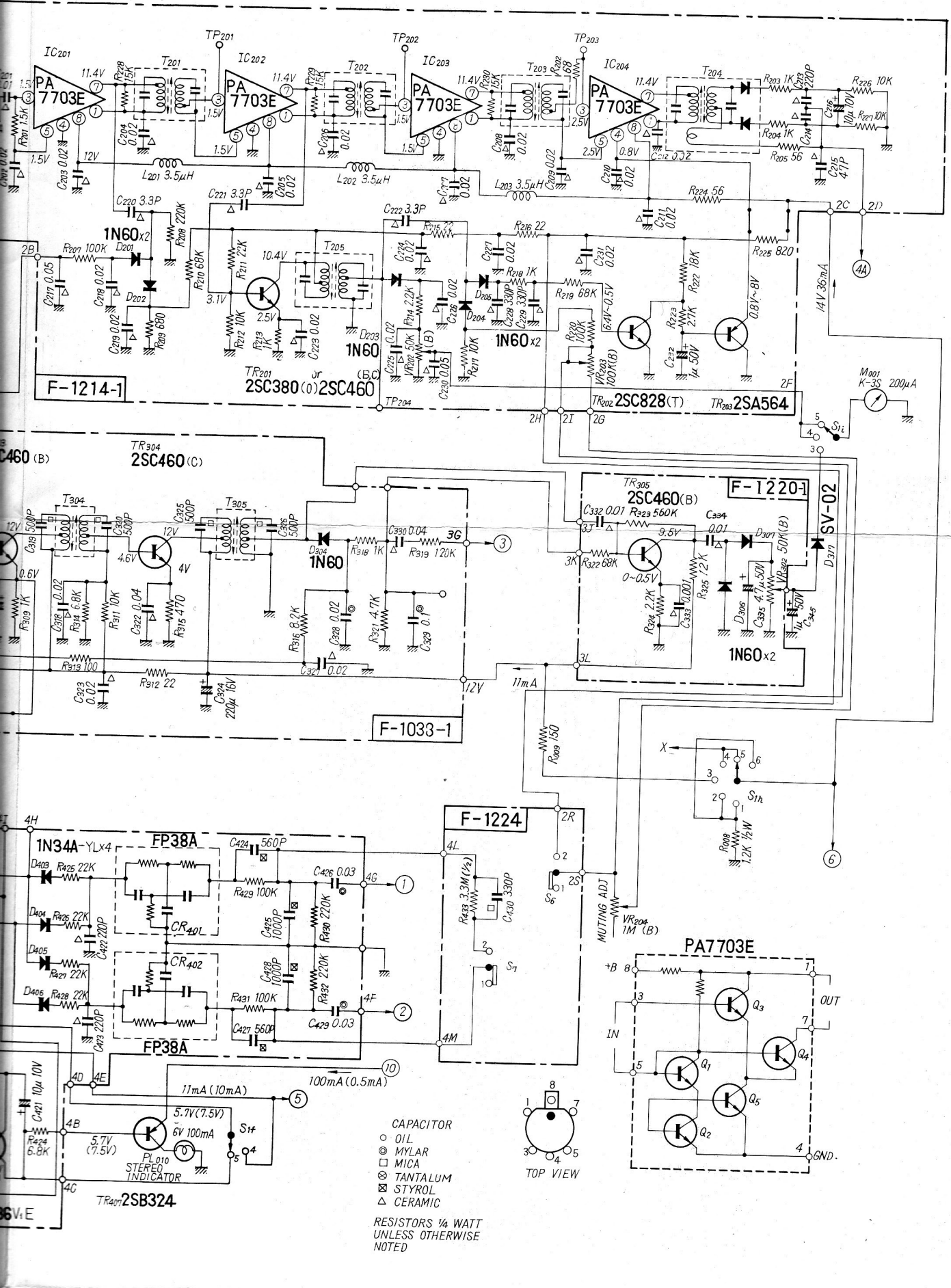
SANSUI 2000X SCH



VOLTAGES ARE MEASURED AT NO SIGNAL TO CHASSIS GROUND WITH CIRCUIT-TESTER (MORE THAN 50V RANGE)
() = MONO

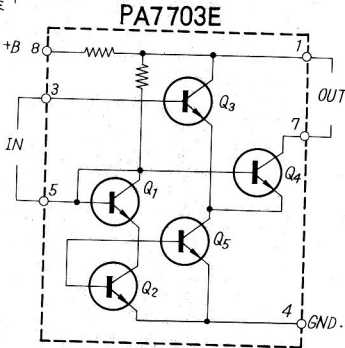
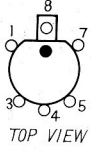


* WIRED-IN FUSE
CSA APPROVED EQUIPMENT ONLY

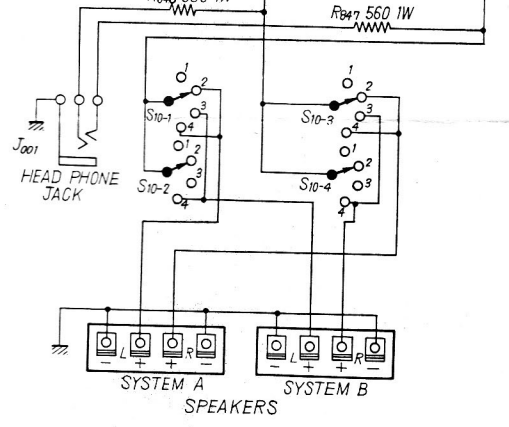
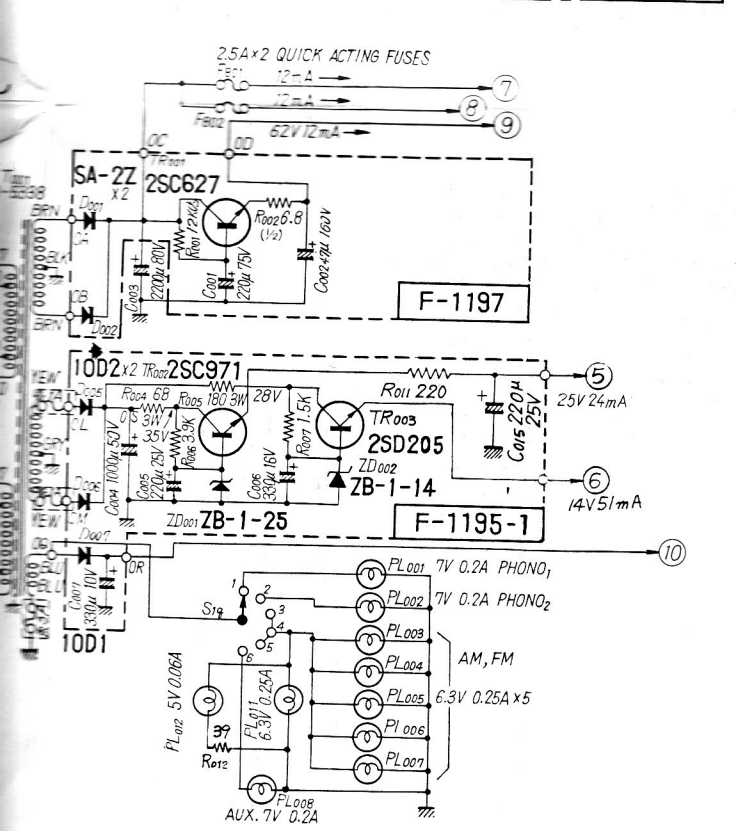
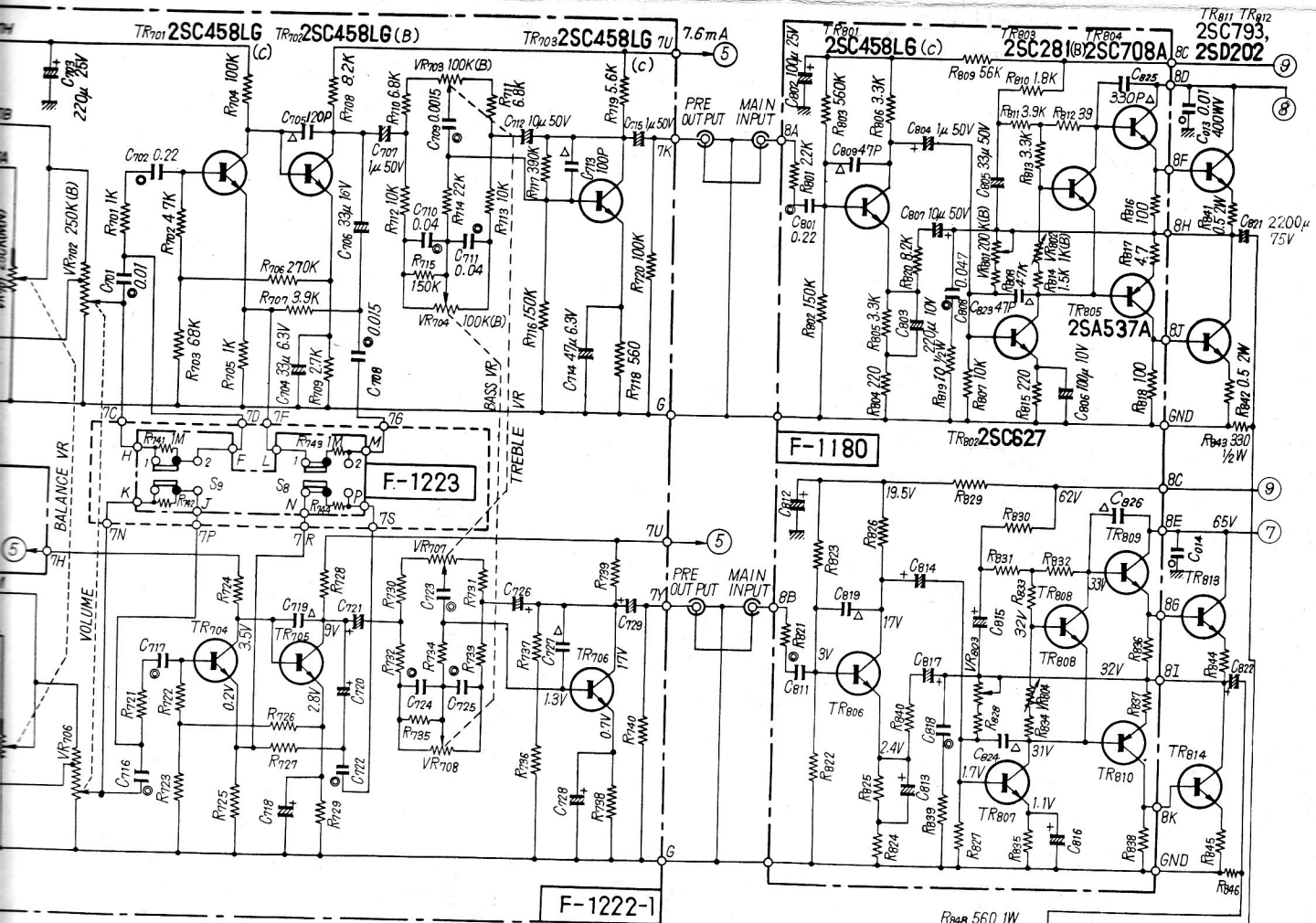


CAPACITOR
 ○ OIL
 ⊙ MYLAR
 □ MICA
 ⊗ TANTALUM
 ⊠ STYROL
 △ CERAMIC

RESISTORS 1/4 WATT
 UNLESS OTHERWISE
 NOTED



TR101 2SC458LG TR102 2SC458LG (B) TR103 2SC458LG 7.6 mA TR104 2SC458LG (C) TR105 2SC2813B 2SC709A TR106 2SC793, 2SC702 TR107 2SC460 (B) TR108 2SC460 (C) TR109 2SC460 (B) TR110 2SC460 (B) TR111 TR112 2SC793, 2SC702



* Manufacturer reserves right to change design and/or specifications without notice for purpose of improvement.